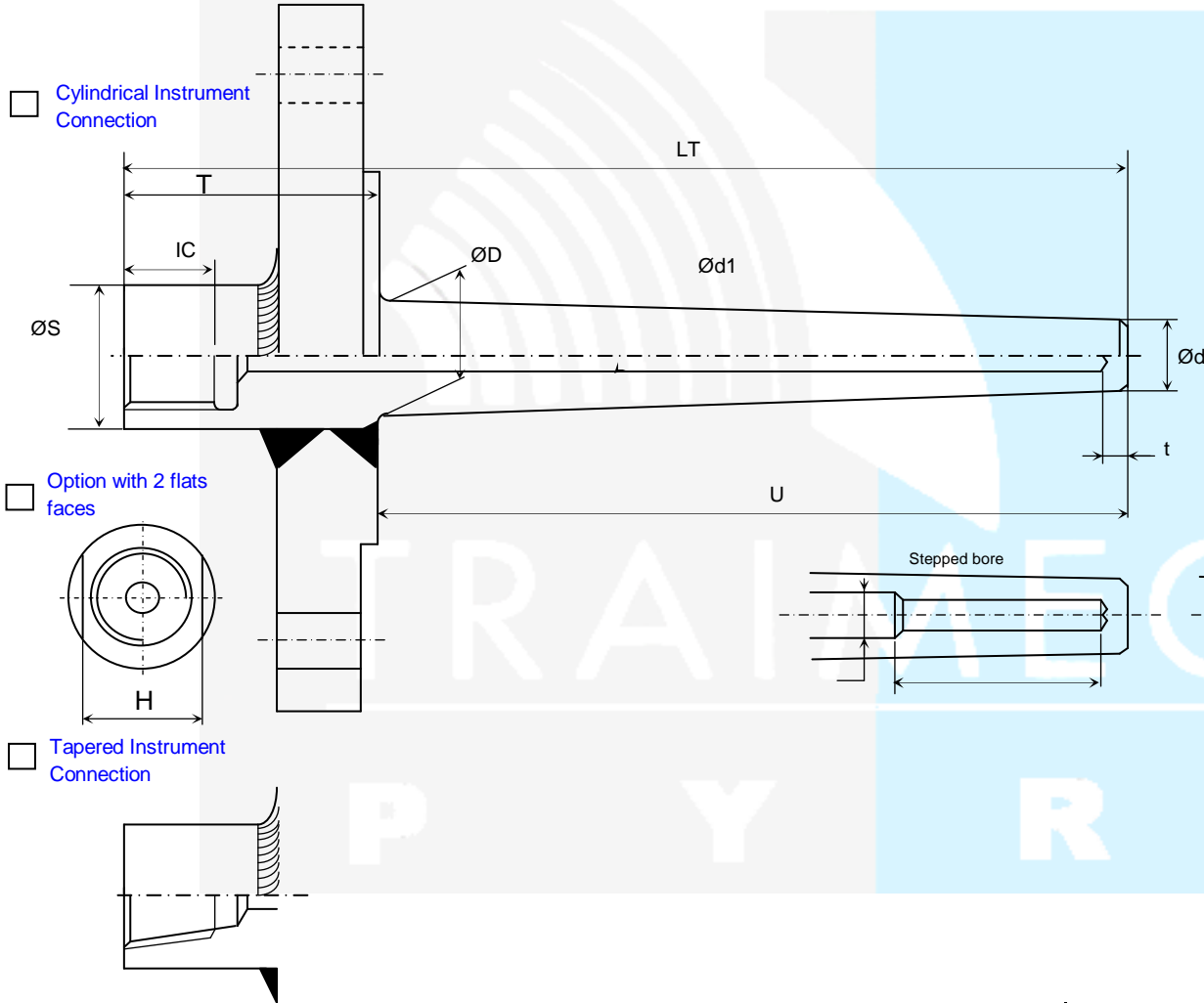


TAPERED FLANGED THERMOWELL WITH FULL PENETRANT WELD



TAG Number:

Tolérances	
0.0 =	±1
0.00 =	±0.5
0.000 =	±0.1



00 33 (0) 5 59 20 18 56
 00 33 (0) 5 59 20 50 30
 traimeca-pyro@wanadoo.fr

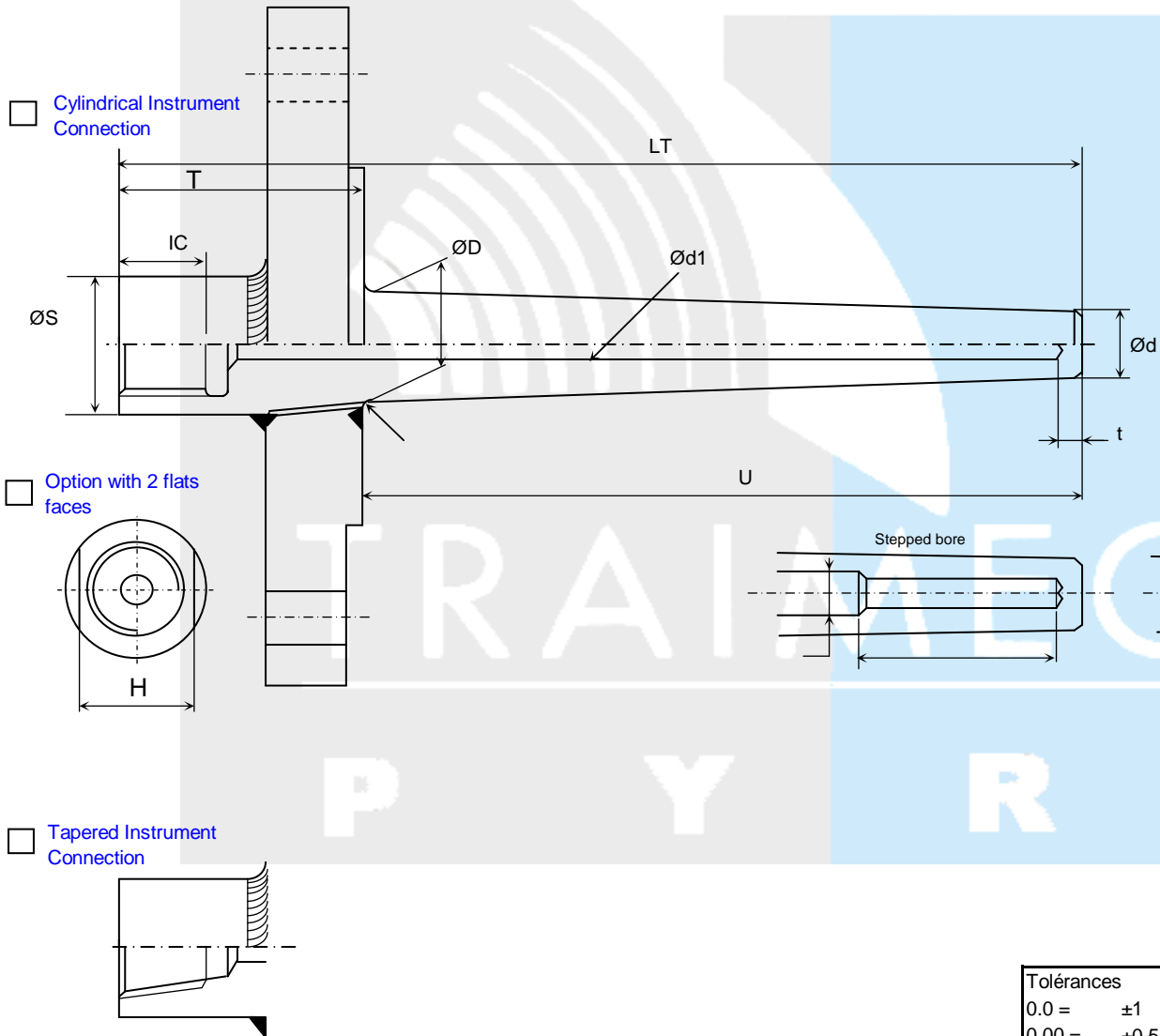
Order Number

TR1 Ed 0

Drawing number

TR1 GB TAPERED SP

TAPERED FLANGED THERMOWELL WELD MOUNTED



TAG Number:

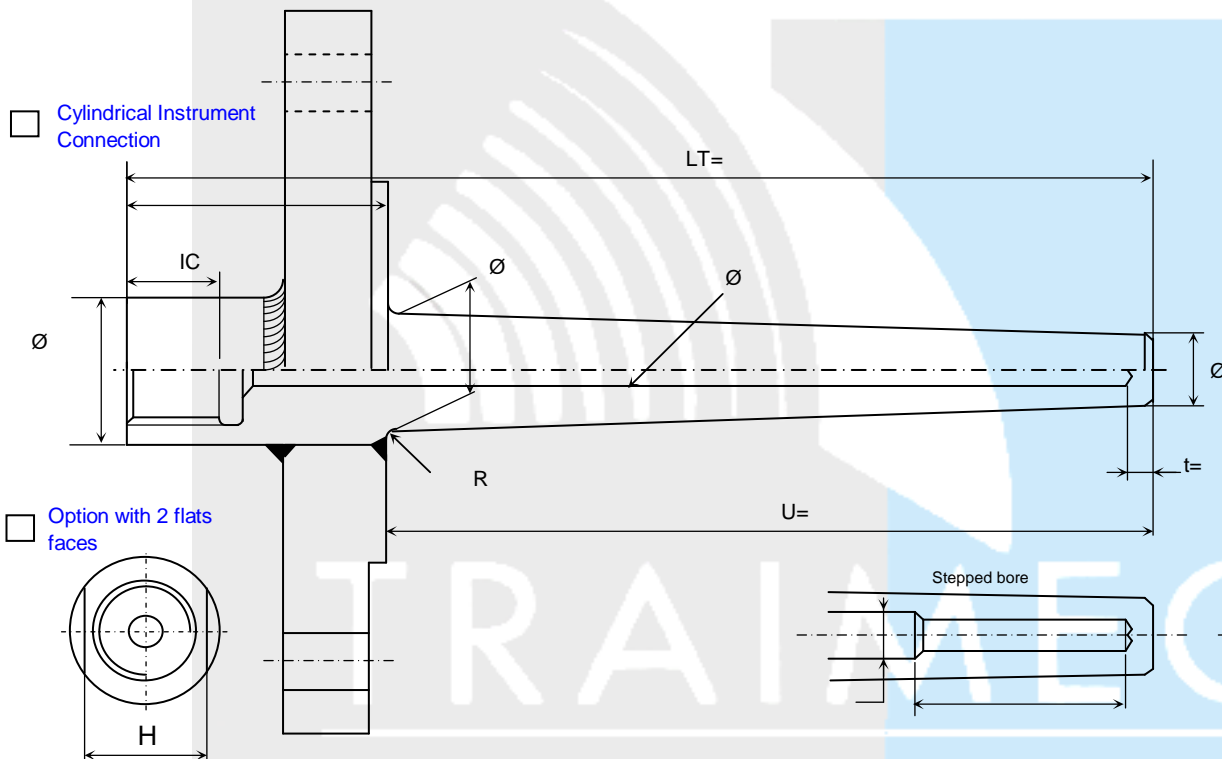
Tolérances	
0.0 =	±1
0.00 =	±0.5
0.000 =	±0.1



00 33 (0) 5 59 20 18 56
00 33 (0) 5 59 20 50 30
traimeca-pyro@wanadoo.fr

Order Number	
TR1	Ed 0
Drawing number	
TR1 GB TAPERED FSD Plats	

TAPERED FLANGED THERMOWELL WELD MOUNTED



Cylindrical Instrument Connection

Option with 2 flats faces

Tapered Instrument Connection

TAG Number:

Order Number

TR1 Ed 0

Drawing number

TR1 GB TAPERED LSD Plats

Tolérances

0.0 = ±1
0.00 = ±0.5
0.000 = ±0.1



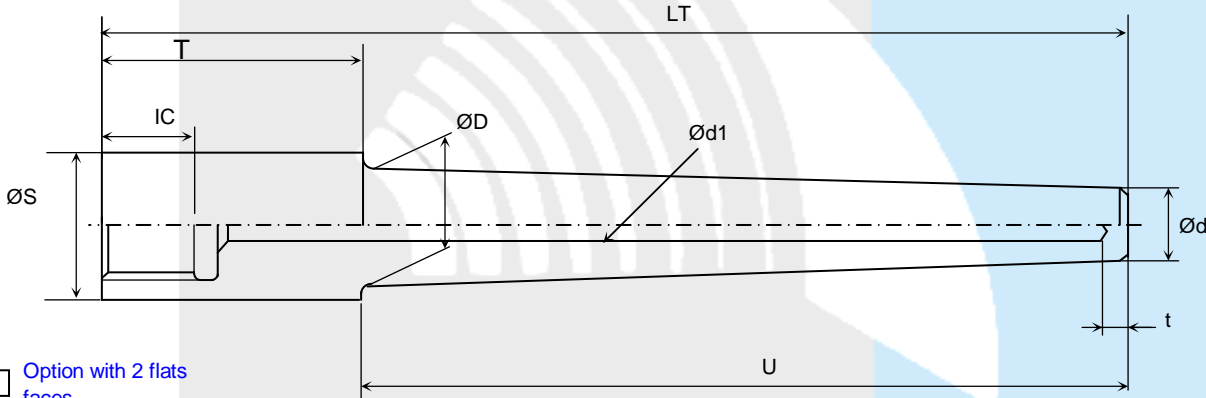
☎ 00 33 (0) 5 59 20 18 56

📠 00 33 (0) 5 59 20 50 30

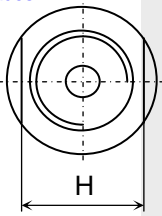
✉ traimeca-pyro@wanadoo.fr

**TAPERED THERMOWELL
WELD MOUNTED**

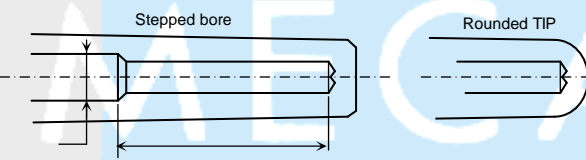
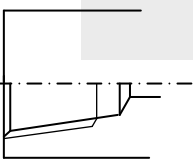
Cylindrical Instrument Connection



Option with 2 flats faces



Tapered Instrument Connection



TAG Number:

Tolérances

0.0 =	±1
0.00 =	±0.5
0.000 =	±0.1



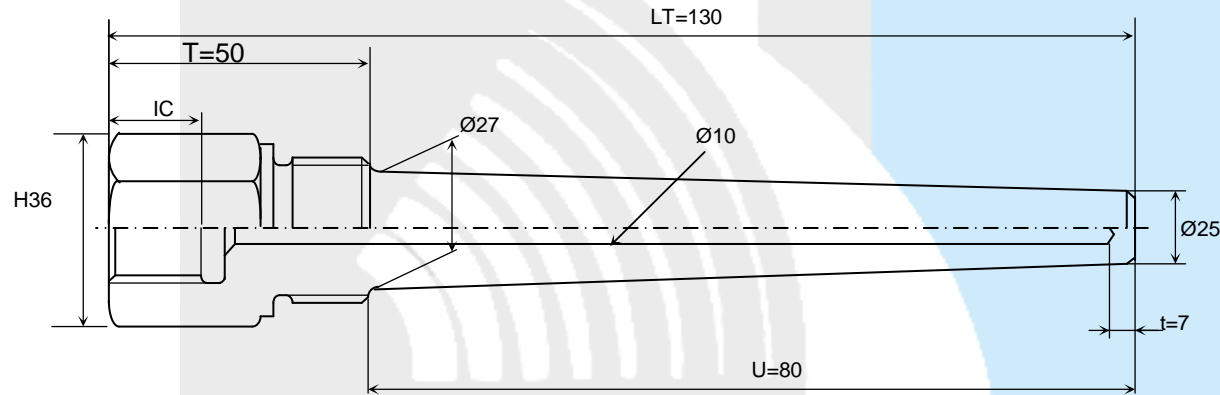
00 33 (0) 5 59 20 18 56
00 33 (0) 5 59 20 50 30
traimeca-pyro@wanadoo.fr

Order Number	
TR1	Ed 0
Drawing number	
TR1 G TAPERED WELDED	

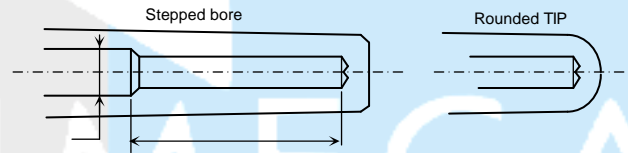
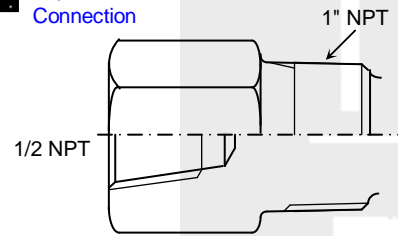
TAPERED THREAD THERMOWELL

MATIERE 316L

Cylindrical Instrument Connection



Tapered Instrument Connection



TAG Number:

Tolérances
 0.0 = ±1
 0.00 = ±0.5
 0.000 = ±0.1



00 33 (0) 5 59 20 18 56
 00 33 (0) 5 59 20 50 30
 traimeca-pyro@wanadoo.fr

Order Number

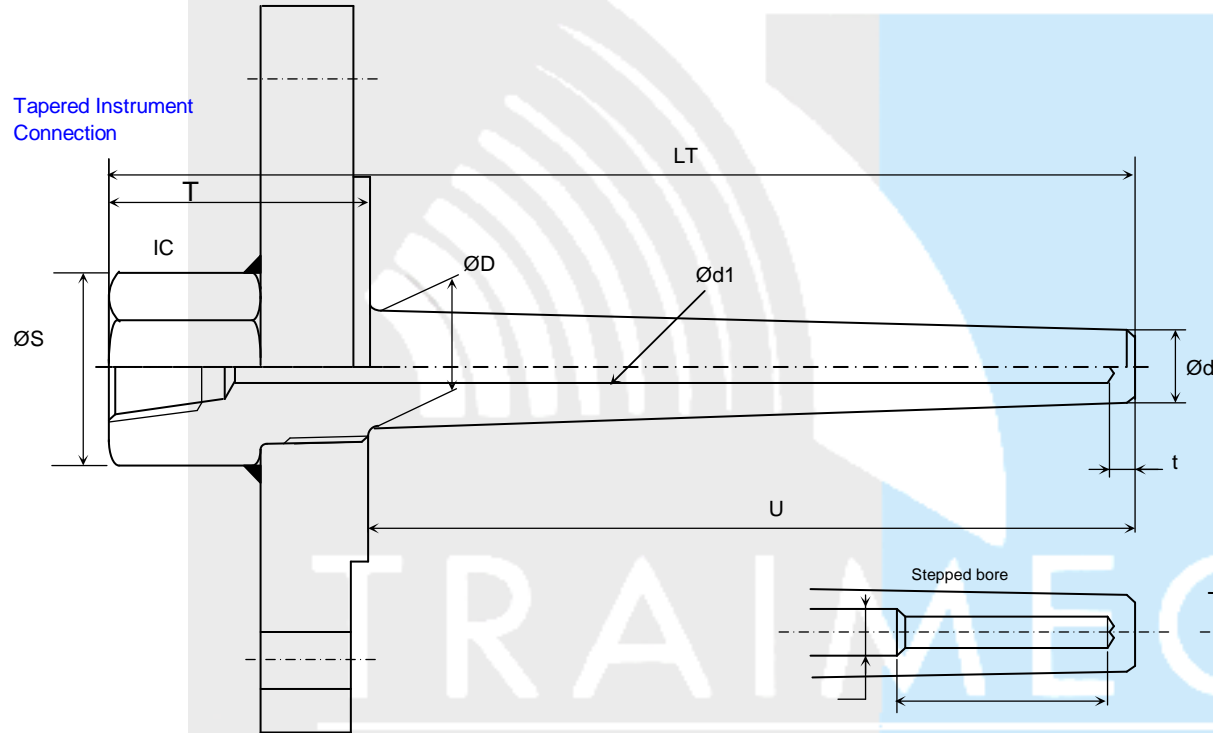
TR1 Ed 0

Drawing number

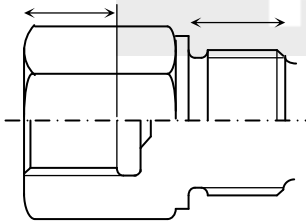
TR1 G TAPERED THREAD

TAPERED THREAD THERMOWELL

Tapered Instrument Connection



Cylindrical Instrument Connection



TAG Number:

Tolérances
 0.0 = ± 1
 0.00 = ± 0.5
 0.000 = ± 0.1



00 33 (0) 5 59 20 18 56
 00 33 (0) 5 59 20 50 30
 traimeca-pyro@wanadoo.fr

Order Number

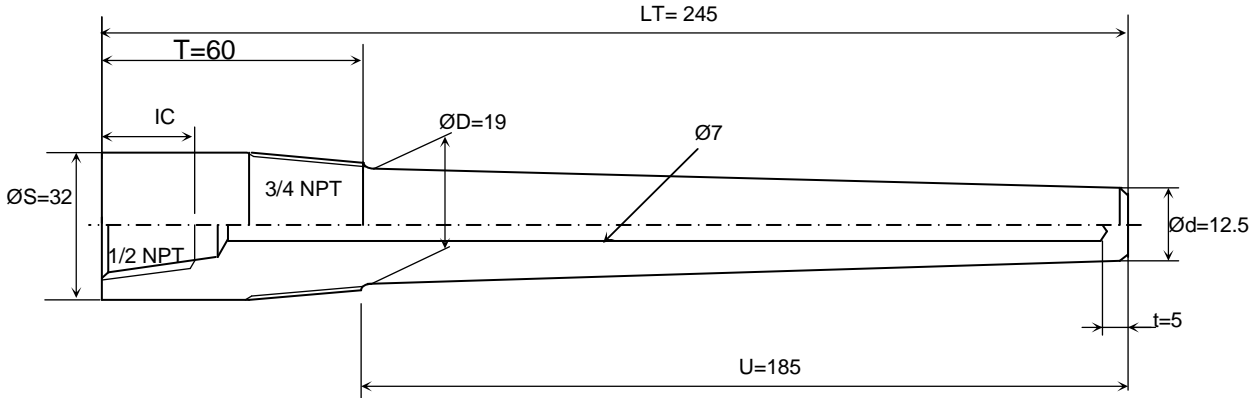
TR1 Ed 0

Drawing number

TR1 G TAPERED THREAD (2)

**TAPERED THERMOWELL
WELD MOUNTED**

Internal pressur test
3.1



TAG Number:

Tolérances	
0.0 =	±1
0.00 =	±0.5
0.000 =	±0.1



00 33 (0) 5 59 20 18 56
00 33 (0) 5 59 20 50 30
traimeca-pyro@wanadoo.fr

Order Number	
TR1	Ed 0
Drawing number HSG 32.710.362	
TR1 G TAPERED WELDED (2)	